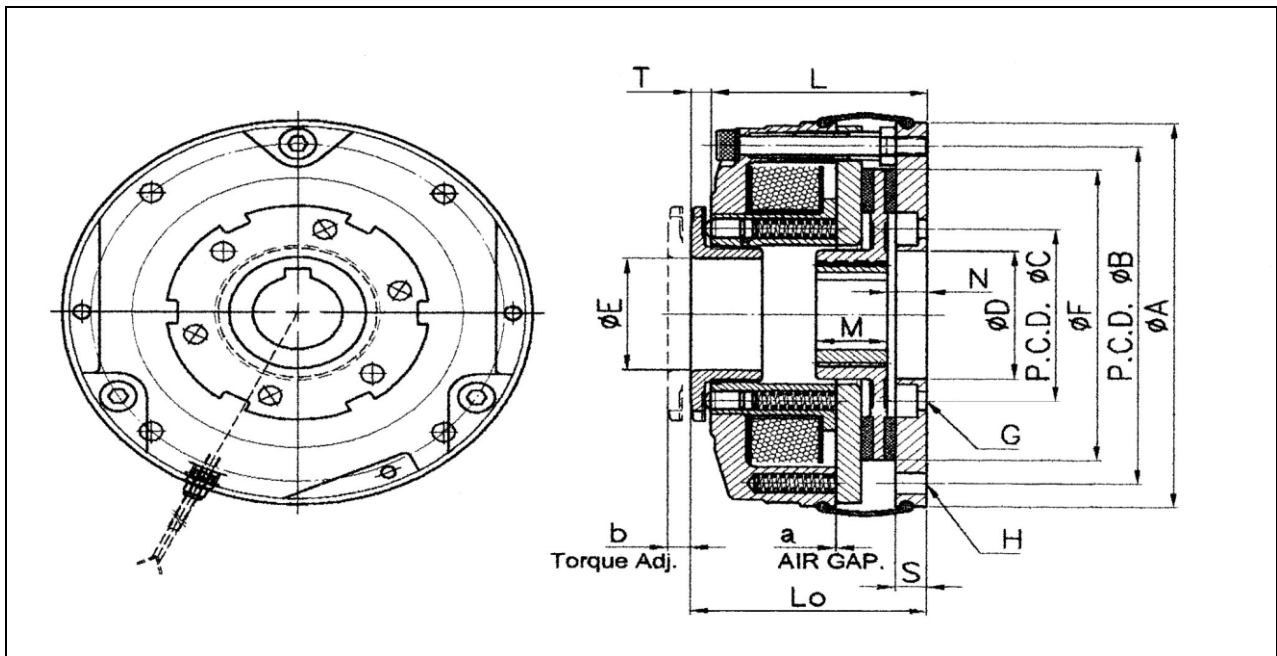


Dimensions Sheet



Unit in mm

Type SAB	2	5	10	20	40	60	100	160	250	400
Dynamical ²⁾ [Nm]	2	5	10	20	40	60	100	160	250	400
Hub bore ¹⁾ d _{max}	11	14	15	20	24	28	35	45	55	70
Hub bore d _{min}	8	8	10	10	16	20	25	30	35	40
φ A	73	84	102	127	147	162	188	215	252	302
φ B	60	72	90	112	132	145	170	196	230	278
φ C	x	30	45	56	62	74	84	100	120	150
φ D	25	20	30	40	45	55	65	75	90	120
φ E	27	19	24	35	40	48	57	62	73	90
φ F	49	61	76	96	115	125	150	175	208	254
G	x	3x φ 4.5	3x φ 5.5	3x φ 6.5	3x φ 6.5	3x φ 9.0	3x φ 9.0	6x φ 9.0	6x φ 11	6x φ 11
H	3x φ 4.5	3x φ 4.5	3x φ 5.5	3x φ 6.5	3x φ 6.5	3x φ 9.0	3x φ 9.0	3x φ 9.0	6x φ 11	6x φ 11
L	42.5	44	49	59	66	76	85	95	109	120
M	16	18	20	20	25	30	30	35	40	50
N	8	8	9.5	12.5	12	14	14.5	15	16	20
S	5.8	5.8	6.8	8.8	8.8	11	11	11	11	14
T	0	5	6	6	7	7	8	9	10	13
Lo	x	49	55	65	73	83	93	104	119	133
b	x	5	5	7.5	9.5	11	10	15	17	20
Air gap a	0.2	0.2	0.2	0.2	0.3	0.3	0.3	0.4	0.4	0.5
Air gap a _{max}	0.5	0.5	0.5	0.6	0.8	0.8	0.8	1	1	1.2
Weight [kg]	1	1.2	1.8	3	4.8	7.3	12.2	18.5	27.6	35.9
Micro-switch	No	No	No	No	No	Yes	Yes	Yes	Yes	Yes

1) Standard parallel keyway accordance to DIN 6885/1 P9.

The Hub bore tolerances is ISO H7. Recommended ISO shaft tolerances up to φ 50 mm = k 6 Over φ 50 mm = m 6. 2)

Braking torque dynamical (Δn = 100 r.p.m.)